



### **PRODUCT FEATURES:**

Offers several application possibilities, directing the beam in different inclinations and axes, allowing the fixture to adapt very well to the architectural scene.

Designed to last in extremely harsh environments.

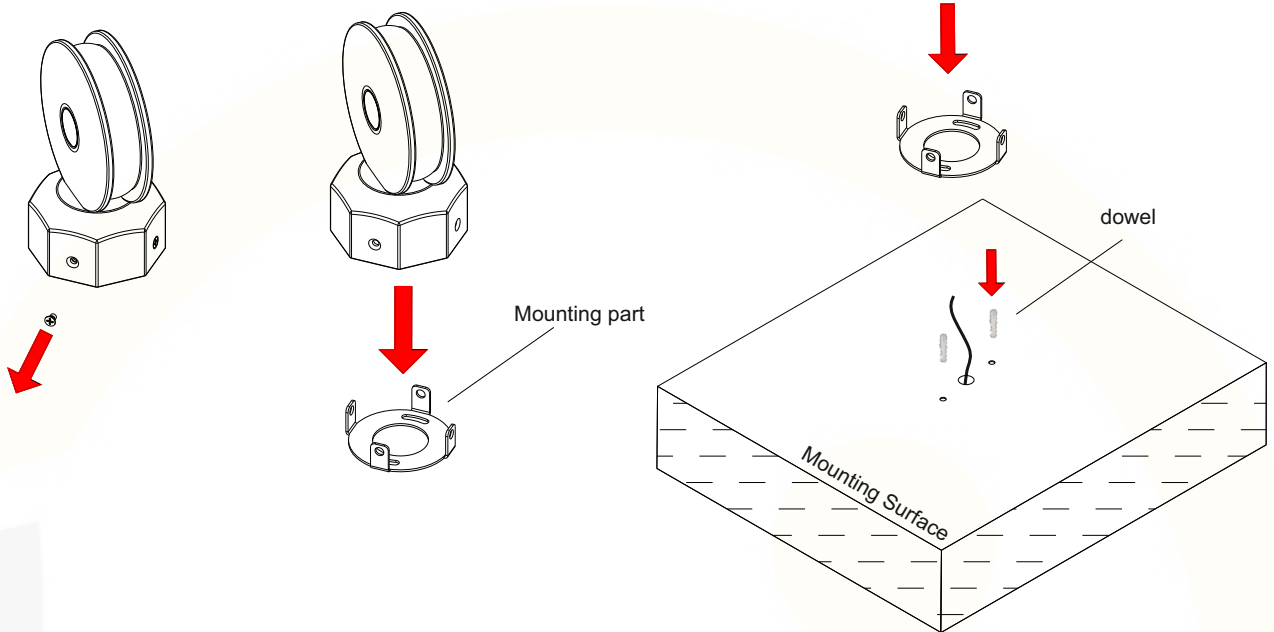
### **RECOMMENDATIONS FOR THE USER:**

- 1) Before the installation, make sure that there is no voltage.
- 2) Do not touch the fitting when it is working on / switched on
- 3) Do not look at the fitting directly or from a short distance.
- 4) Disconnect / switch off the fitting before changing the lamps

### **NOTES:**

- Technical amendments are reserved.
- CE – Conformity mark
- The manufacturer is then discharged from liability when damage is caused by improper use or installation.
- Clean luminaire regularly with solvent-free cleansers from dirt and deposits. Do not use high pressure cleaners.

- 1) -The screws on the luminaire are removed.
- The mounting part is removed from the luminaire.
- Holes are drilled on the mounting surface, corresponding to the holes of the mounting part, and dowels are driven into the holes.
- The mounting part is screwed into the mounting surface.



- 2) -Electrical connection is done and the luminaire is placed.
- The luminaire is screwed back into the mounting part.

