

Wall Mounted

iDisc stands as the perfect solution for creating 360° light blades with optical lenses.

Offers several application possibilities, directing the beam in different inclinations and axes, allowing the fixture to adapt very well to the architectural scene.

Functional and Creative

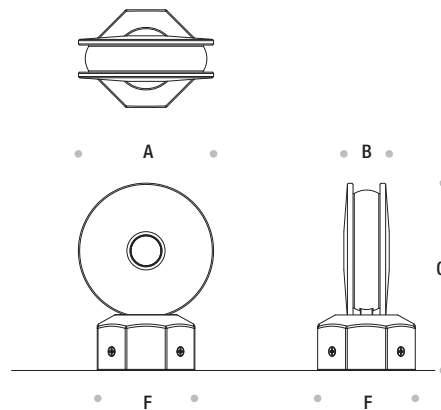
The functionality is achieved by special blinds that adjust the degree of the light beam and perfectly match it to the scene to be illuminated.

Creative lighting trend for 3D light blade effects, the light adapts perfectly to the frame shape of the place used.

Compact and Easy to Install

Featuring very compact and slim housing for convenient installation in confined or remote spaces.

The surface-mounted product consists of a base and a shade. The robust luminaire fits seamlessly into the architecture.

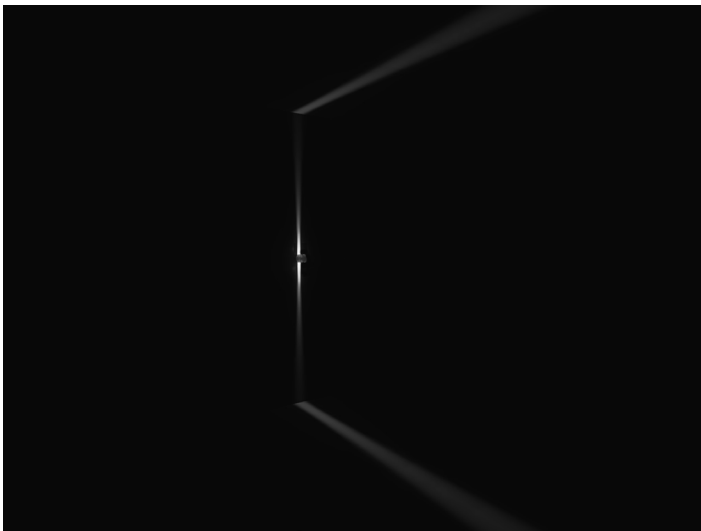


iDisc						
Codes	Power	Colour Temperature	A (mm)	B (mm)	C (mm)	F (mm)
WA4670	4W	3000K / 4000K	110	37	152	80

iDisc
iDisc



For detailed information about the iFlat



360 degree



Technical Features

Aluminum body, silicone gasket, narrow angle circular lens.

LED MacAdam Step 3

Nominal Voltage 220V-240V AC, 50/60Hz

Operating Temperature -40°C / +55°C

Control Systems On - Off

Protection Class IP66

Impact Resistance IK08

Insulation Class I

Complies with EN60598 and relevant standards.